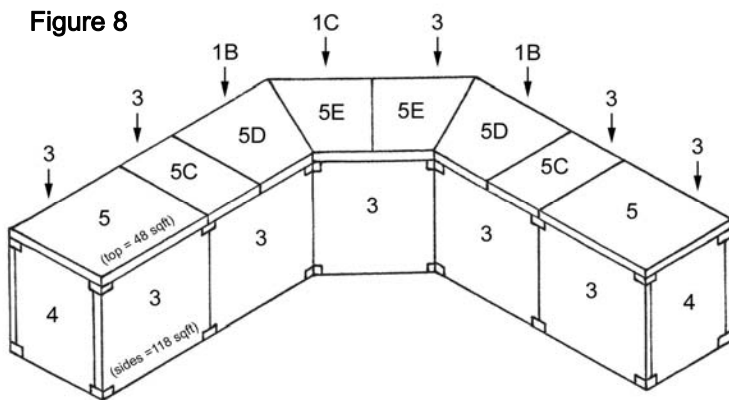
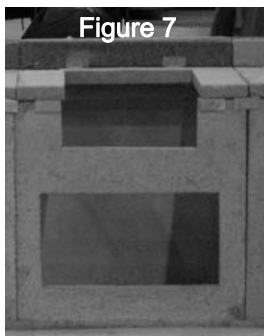
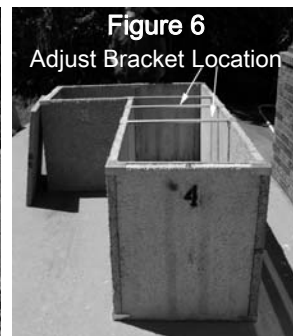
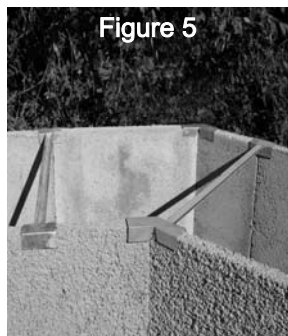
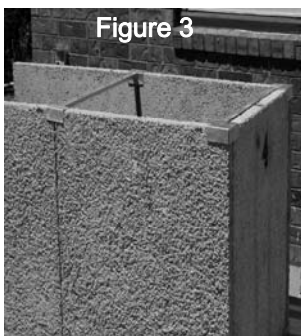


1. Place one 90° corner single bracket on the pad at one of the front (inner) corners of the island on the end where you want to start (refer to Figure 1). Lower brackets may be glued into place if desired.
2. Place panels with rough side out when possible. Set one #3 wall panel into the bracket. Place a #4 end panel into the bracket inside the #3 wall panel, noting placement of the #3 and #4 panels, as shown in Figure 1. Apply adhesive between #3 and #4 panels. Repeat process on back (outer) corner.
3. Place a 90° corner double weld end bracket at the top joint of the #3 and #4 panels (refer to Figure 3).
4. Place the straight single brackets on the ground at both ends of the next wall panel and place wall panel #3 in half of bracket and next wall panel in the other half. Continue setting the front (inner) wall panel #3 and back (outer) wall panel #3 using adhesive and brackets until you reach the inside angle point. Note the placement of the Angled 45 & Straight Weld bracket, the Angled Single bracket, and the attachment of both brackets to the #1B, #1C and #3 panels (refer to Figures 4 & 5). Joints where angled panels meet will be wider than squared joints and will require a thicker bead of adhesive than squared joints. These joints may also be filled in with mortar as part of the finishing process. Continue setting the wall panels and brackets until island walls are complete, noting that the welded brackets are intended to be used on the top, with the angle iron joining them providing extra support for the top panels or countertop (refer to Figure 3).



5. Before installing top, determine if any appliances are going to be placed across a joint line, where a welded top bracket would be placed, and if so, simply move the bracket to one side or the other of the joint and/or the appliance's desired location (refer to Figure 6).

6. Once brackets are in place, if top panels are to be used (WT Models), set these panels, using adhesive (refer to Figure 8 for correct top panel placement for this kit). Island kit assembly is now complete.

7. Using a marking pencil, draw the location of each appliance to be installed. Once you are satisfied with the layout, use a saw with a masonry or diamond blade to cut out the sections where the appliances will be placed (refer to Figure 7). Appliances may be installed before or after the application of the exterior finish.

8. Exterior may be finished with thin stone, full veneer stone, fabricated stone, brick, stucco, tile, granite, or any other material compatible with masonry or concrete.

9. Accessories or other items may set in place without positive attachment, or may be attached to the islands using a masonry drill bit and masonry anchors or Tapcons. When using an anchor or Tapcon, it is recommended that a pilot hole be drilled before attaching the anchor. When anchoring into the edge of a panel, drill the pilot hole at the center of the panel for best results.

Finishing Specifications

Model SA15FF-WT/WOT: Side Area: 118 Square Feet, Top Area: 48 Square Feet, Corners: 12 Linear Feet

SA15FF-V0213