



Modular Masonry Technology at its Finest

Cabinet Component System

Patented

SA-6STR-WT/WOT

Installation Instructions

Please Read This Entire Document and Familiarize Yourself with All Steps and Kit Parts Before Beginning Construction of the Concrete Pad or the Cabinet Component System Kit.

- **Materials required:** Landscape block adhesive or mortar.
- **Tools required:** Mallet or dead blow hammer, mason's or rock hammer, caulk gun, saw with masonry blade.
- **Finishing will require additional tools and materials based on the type of finish being applied.**

Notes: The model number indicates the length of the front (inner) face of the island before exterior finish application. All Cabinet Component System island kits are 33" deep, 34" tall without the top and 36" tall with the top. Panels may be trimmed with a masonry saw to fit out-of-square installations, or installations requiring smaller dimensions than those of the kit. Flexibility is a key design feature of the Cabinet Component System, and you are not limited to the configuration shown in this instruction - layouts may be modified or altered to different shapes as desired, however, it is not recommended that the depth of the islands be altered, as this would require alterations of the welded upper brackets.

Pre-installation Preparation: Islands should be installed on a 4" steel-reinforced concrete pad or patio. Pier pad below frost line if required in your region. Construct the pad with an appropriate outside border, to serve as a support ledge for finish material, if required by the type of finish to be used.

Before beginning construction, draw the footprint of the island on the pad or patio (chalk line recommended), to visualize the island layout.

Refer to Figure 1 for unfinished dimensions of the island, the number and layout of the wall panels, and Figure 2 for the types of brackets used in this island kit.

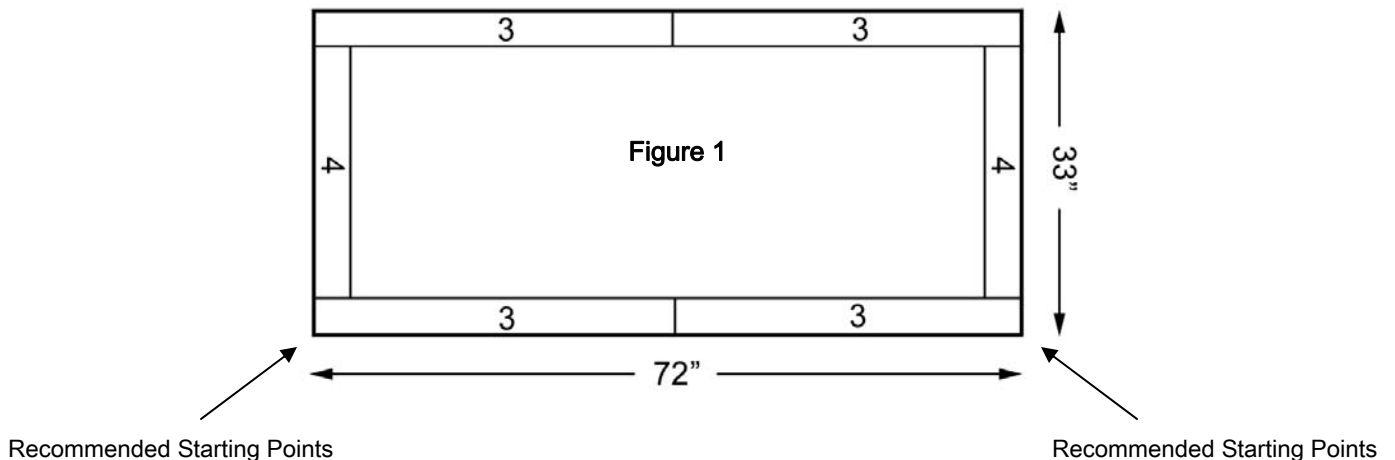


Figure 2

Brackets - STR Models

BR90CDW Corner Double Weld



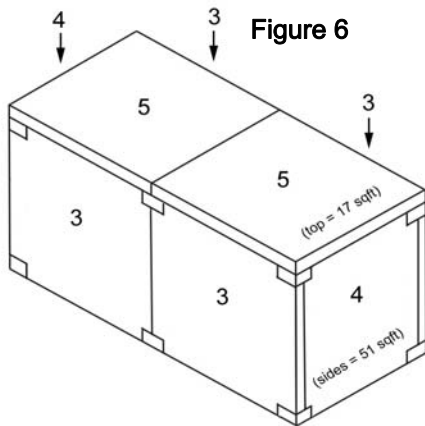
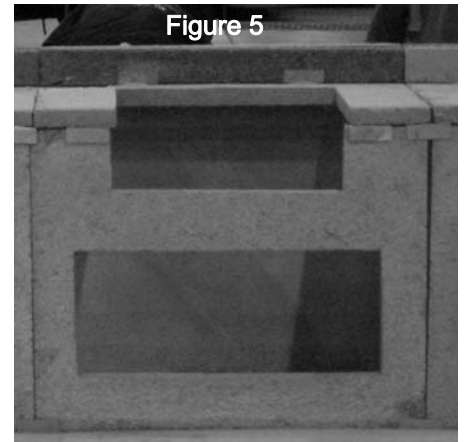
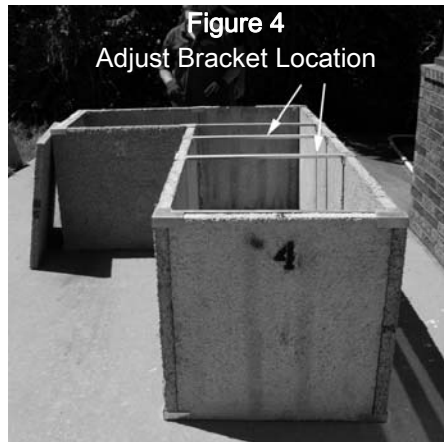
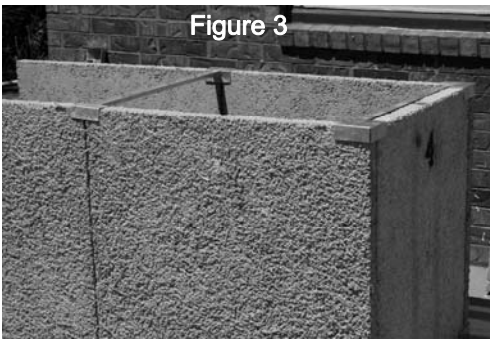
BR90CS Corner Single

BRSTDW Straight Double Weld



BRSTS Straight Single

1. Place one 90° corner single bracket on the pad at one of the front (inner) corners of the island on the end where you want to start (refer to Figure 1). Lower brackets may be glued into place if desired.
2. Place panels with rough side out when possible. Set one #3 wall panel into the bracket. Place a #4 end panel into the bracket inside the #3 wall panel, noting placement of the #3 and #4 panels, as shown in Figure 1. Apply adhesive between #3 and #4 panels. Repeat process on back (outer) corner.
3. Place a 90° corner double weld end bracket at the top joint of the #3 and #4 panels (refer to Figure 3).
4. Place the straight single brackets on the ground at both ends of the next wall panel and place wall panel #3 in half of bracket and next wall panel in the other half. Continue setting the front (inner) wall panel #3 and back (outer) wall panel #3 using adhesive and brackets. Repeat this process until island walls are complete. NOTE: The welded brackets are intended to be used on the top, with the angle iron joining them providing extra support for the top panels or countertop (refer to Figure 3).
5. Before installing top, determine if any appliances are going to be placed across a joint line, where a welded top bracket would be placed, and if so, simply move the bracket to one side or the other of the joint and/or the appliance's desired location (refer to Figure 4).



6. Once brackets are in place, if top panels are to be used (WT Models), set these panels, using adhesive (refer to Figure 6 for correct panel placement for this kit). Island kit assembly is now complete.

7. Using a marking pencil, draw the location of each appliance to be installed. Once you are satisfied with the layout, use a saw with a masonry or diamond blade to cut out the sections where the appliances will be placed (refer to Figure 5). Appliances may be installed before or after the application of the exterior finish.

8. Exterior may be finished with thin stone, full veneer stone, fabricated stone, brick, stucco, tile, granite, or any other material compatible with masonry or concrete.

9. Accessories or other items may set in place without positive attachment, or may be attached to the islands using a masonry drill bit and masonry anchors or Tapcons. When using an anchor or Tapcon, it is recommended that a pilot hole be drilled before attaching the anchor. When anchoring into the edge of a panel, drill the pilot hole at the center of the panel for best results.

Finishing Specifications

Model SA6STR-WT/WOT: Side Area: 51 Square Feet, Top Area: 17 Square Feet, Corners: 12 Linear Feet

SA6STR-V0213