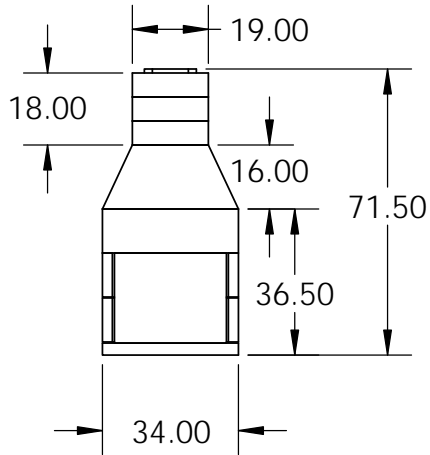
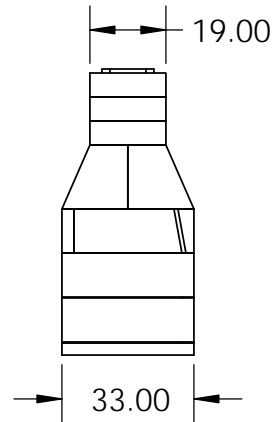


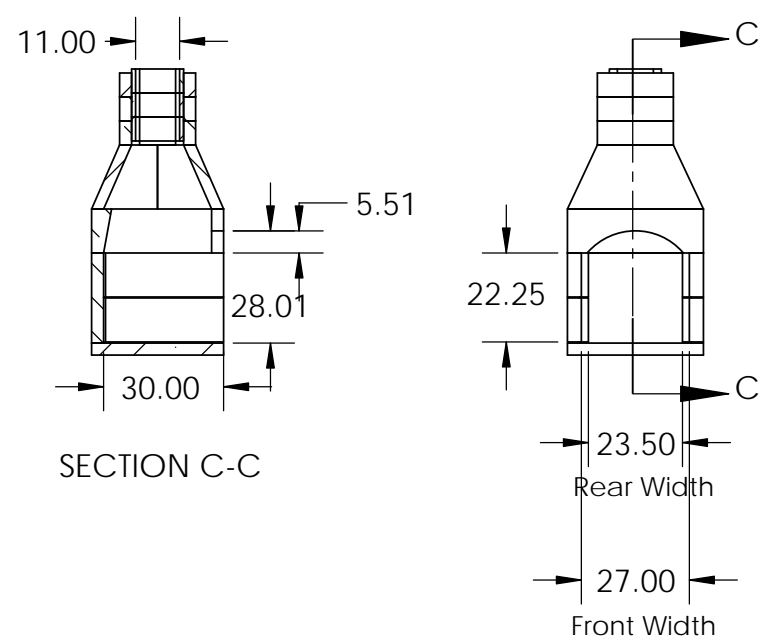
Rear View



Side View



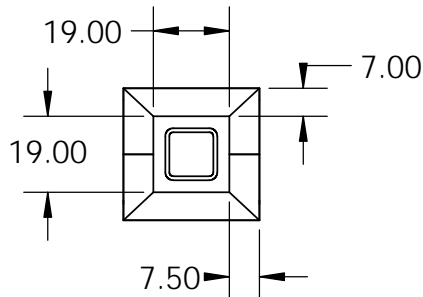
Front View



SECTION C-C

Firebox Widths, without Firebrick

Top View



<p><b>PROPRIETARY AND CONFIDENTIAL</b></p> <p>THE INFORMATION CONTAINED IN THIS DRAWING IS THE SOLE PROPERTY OF STONE AGE MANUFACTURING, INC. ANY REPRODUCTION, IN PART OR AS A WHOLE, WITHOUT THE WRITTEN PERMISSION OF STONE AGE MANUFACTURING, INC. IS PROHIBITED.</p>	<p>UNLESS OTHERWISE SPECIFIED:</p> <p>DIMENSIONS ARE IN INCHES</p> <p>TWO PLACE DECIMAL ±</p>		<p><b>Stone Age Manufacturing</b> Modular Masonry Technology at its Finest</p> <p>11107 E 126TH ST. N. Collinsville, OK 74021 918-371-8861</p>		<p>TITLE:</p> <p><b>24" Contractor Series</b></p>		
	<p>MATERIAL</p>				<p>NAME</p>	<p>DATE</p>	<p>SIZE</p> <p><b>A</b></p>
<p>DO NOT SCALE DRAWING</p>		<p>DRAWN</p>		<p>SCALE: 1:48</p>		<p>WEIGHT:</p>	<p>SHEET 1 OF 1</p>

5

4

3

2

1