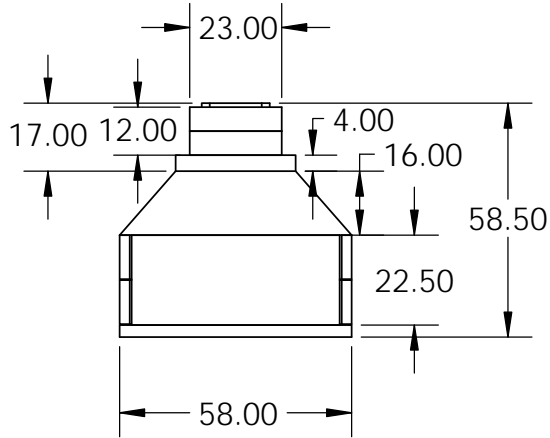
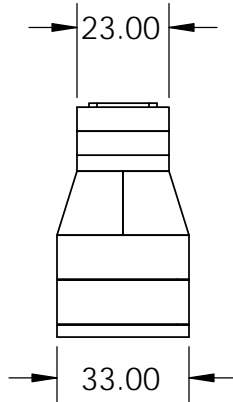


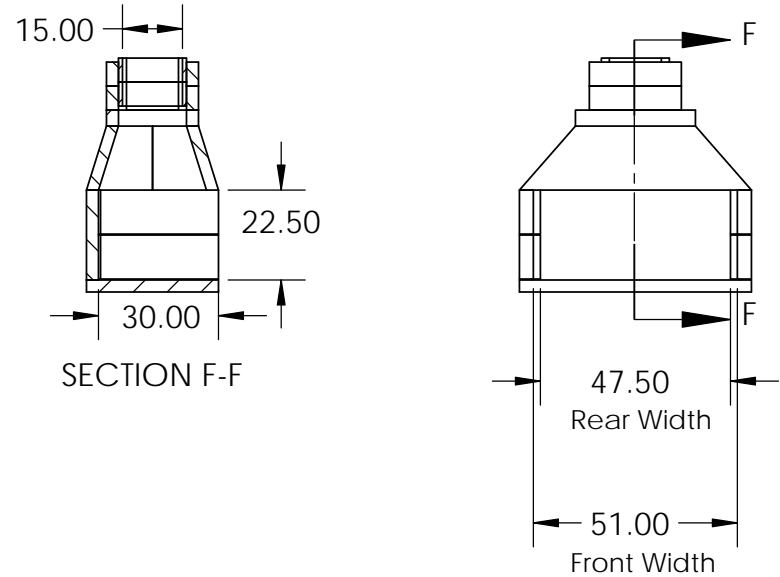
Rear View



Side View

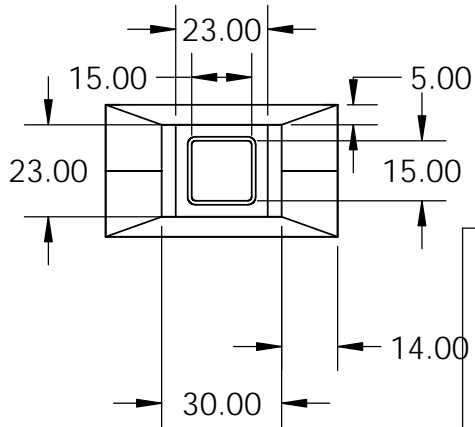


Front View



SECTION F-F

Top View



Firebox Widths, without Firebrick

PROPRIETARY AND CONFIDENTIAL

THE INFORMATION CONTAINED IN THIS DRAWING IS THE SOLE PROPERTY OF STONE AGE MANUFACTURING, INC. ANY REPRODUCTION, IN PART OR AS A WHOLE, WITHOUT THE WRITTEN PERMISSION OF STONE AGE MANUFACTURING, INC. IS PROHIBITED.

UNLESS OTHERWISE SPECIFIED:

DIMENSIONS ARE IN INCHES

TWO PLACE DECIMAL ±

MATERIAL

DO NOT SCALE DRAWING



11107 E 126TH ST. N.  
Collinsville, OK 74021  
918-371-8861

TITLE:

48" Patio Series

SIZE  
**A**

DWG. NO.

SA-PS-48-3V

REV

SCALE: 1:48

WEIGHT:

SHEET 1 OF 1