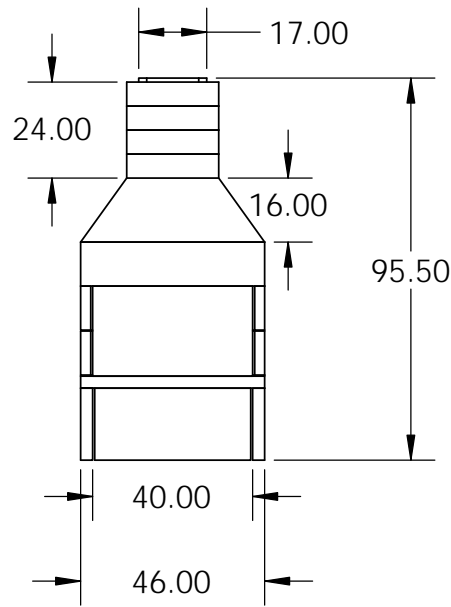
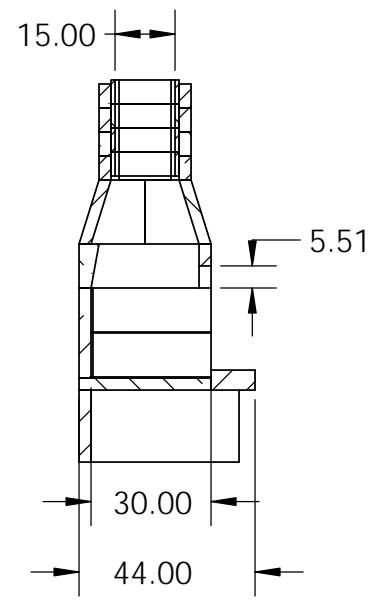
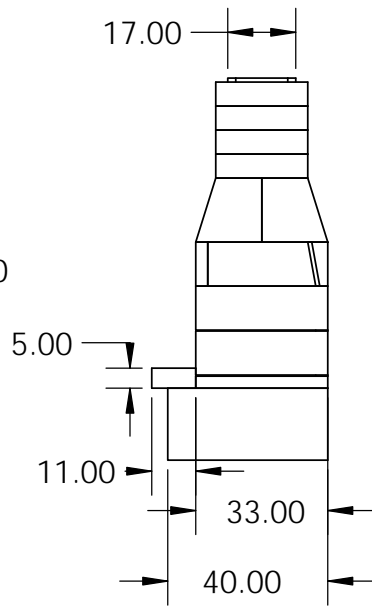


Rear View

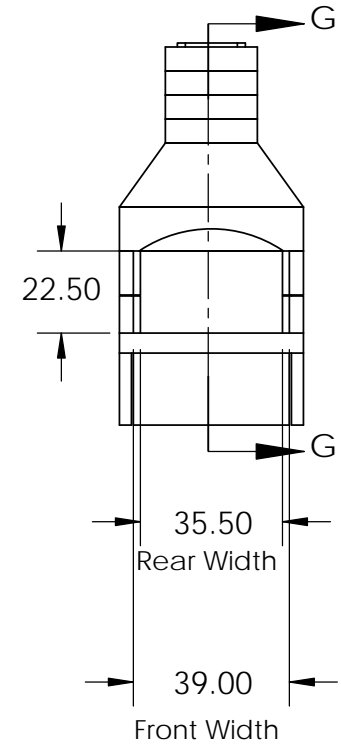


Side View



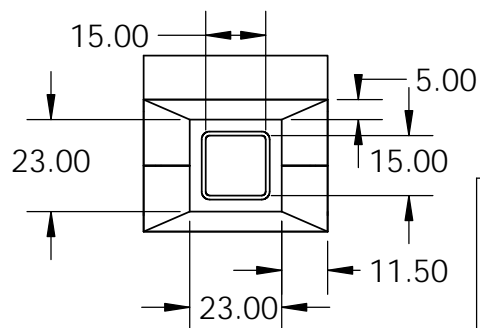
SECTION G-G

Front View



Firebox Widths, without Firebrick

Top View



<p><b>PROPRIETARY AND CONFIDENTIAL</b></p> <p>THE INFORMATION CONTAINED IN THIS DRAWING IS THE SOLE PROPERTY OF STONE AGE MANUFACTURING, INC. ANY REPRODUCTION, IN PART OR AS A WHOLE, WITHOUT THE WRITTEN PERMISSION OF STONE AGE MANUFACTURING, INC. IS PROHIBITED.</p>	UNLESS OTHERWISE SPECIFIED:		 <p><b>Stone Age</b> Manufacturing® Modular Masonry Technology at its Finest</p> <p>11107 E 126TH ST. N. Collinsville, OK 74021 918-371-8861</p>			TITLE: <b>36" Standard Series</b>		
	DIMENSIONS ARE IN INCHES TWO PLACE DECIMAL ±							
DO NOT SCALE DRAWING	MATERIAL	NAME	DATE	SIZE <b>A</b>	DWG. NO. <b>SA36-3V</b>	REV		
	DRAWN			SCALE: 1:48	WEIGHT:	SHEET 1 OF 1		

5

4

3

2

1