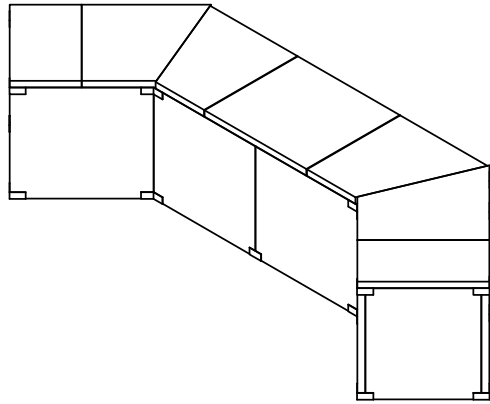
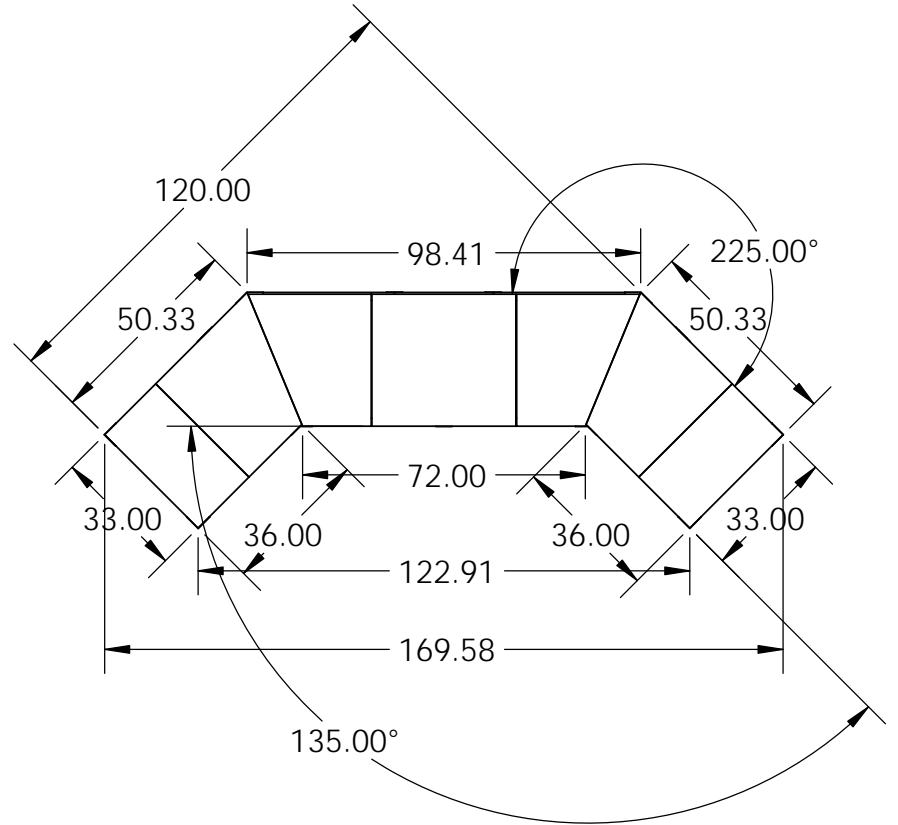


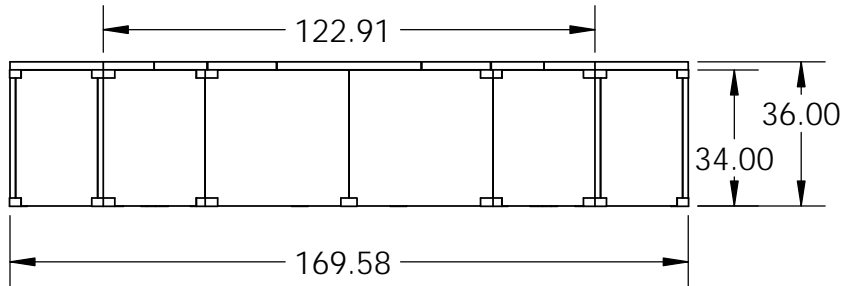
Isometric View



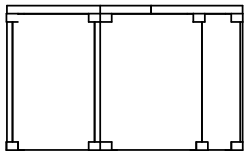
Top View



Side View



End View



<p>PROPRIETARY AND CONFIDENTIAL</p> <p>THE INFORMATION CONTAINED IN THIS DRAWING IS THE SOLE PROPERTY OF STONE AGE MANUFACTURING, INC. ANY REPRODUCTION, IN PART OR AS A WHOLE, WITHOUT THE WRITTEN PERMISSION OF STONE AGE MANUFACTURING, INC. IS PROHIBITED.</p>	UNLESS OTHERWISE SPECIFIED:		 <p>Stone Age Manufacturing®</p> <p>Modular Masonry Technology at its Finest</p> <p>11107 E 126TH ST. N. Collinsville, OK 74021 918-371-8861</p>			<p>TITLE:</p> <p>12' FF Island Kit With Top</p>											
	DIMENSIONS ARE IN INCHES																
	TWO PLACE DECIMAL ±		<table border="1" style="width: 100%; border-collapse: collapse;"> <tr> <td style="width: 33%;">MATERIAL</td> <td style="width: 33%;">NAME</td> <td style="width: 33%;">DATE</td> <td style="width: 16.5%;">SIZE</td> <td style="width: 16.5%;">DWG. NO.</td> <td style="width: 16.5%;">REV</td> </tr> <tr> <td style="text-align: center;">DO NOT SCALE DRAWING</td> <td style="text-align: center;">DRAWN</td> <td></td> <td style="text-align: center;">A</td> <td style="text-align: center;">SA-12FF-WT-3V</td> <td></td> </tr> </table>			MATERIAL	NAME	DATE	SIZE	DWG. NO.	REV	DO NOT SCALE DRAWING	DRAWN		A	SA-12FF-WT-3V	
	MATERIAL	NAME	DATE	SIZE	DWG. NO.	REV											
DO NOT SCALE DRAWING	DRAWN		A	SA-12FF-WT-3V													
		<p>SCALE: 1:48 WEIGHT: SHEET 1 OF 1</p>															

5

4

3

2

1