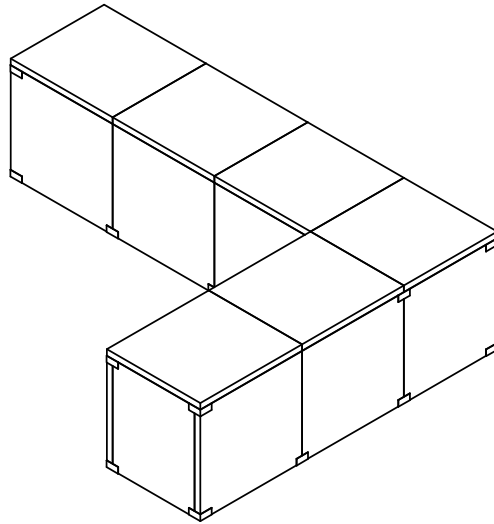
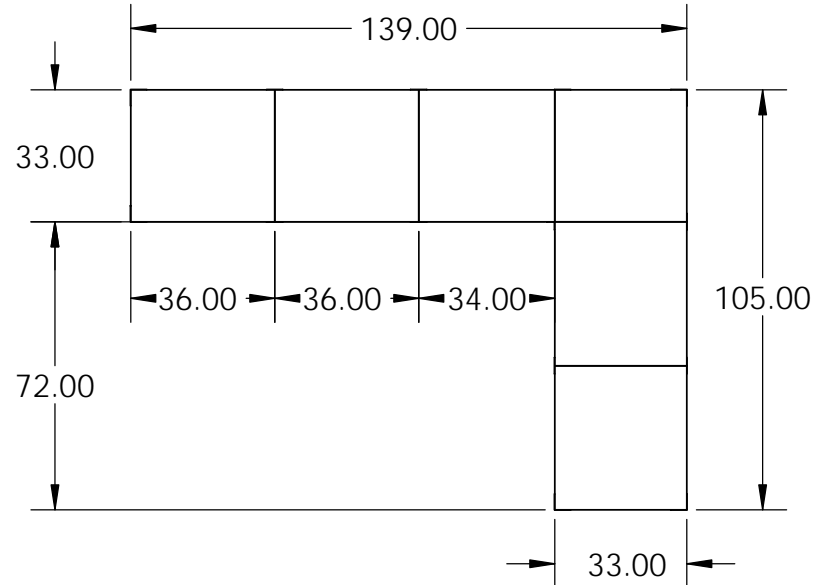


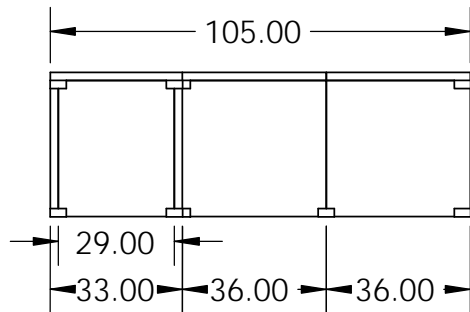
Isometric View



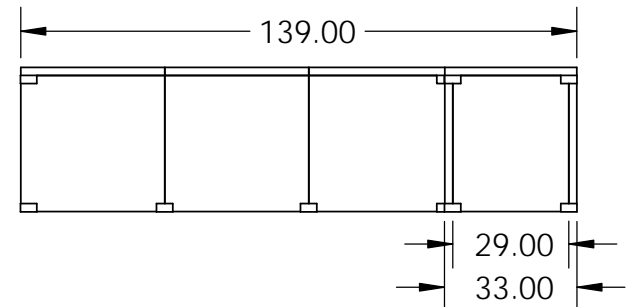
Top View



Side View



End View



<p>PROPRIETARY AND CONFIDENTIAL</p> <p>THE INFORMATION CONTAINED IN THIS DRAWING IS THE SOLE PROPERTY OF STONE AGE MANUFACTURING, INC. ANY REPRODUCTION, IN PART OR AS A WHOLE, WITHOUT THE WRITTEN PERMISSION OF STONE AGE MANUFACTURING, INC. IS PROHIBITED.</p>	UNLESS OTHERWISE SPECIFIED:		 <p>Stone Age Manufacturing®</p> <p>Modular Masonry Technology at its Finest</p> <p>11107 E 126TH ST. N. Collinsville, OK 74021 918-371-8861</p>			TITLE: 15' L Island Kit With Top		
	DIMENSIONS ARE IN INCHES TWO PLACE DECIMAL ±							
	MATERIAL	NAME	DATE	SIZE A	DWG. NO. SA-15L-WT-3V	REV		
	DO NOT SCALE DRAWING	DRAWN		SCALE: 1:48	WEIGHT:	SHEET 1 OF 1		