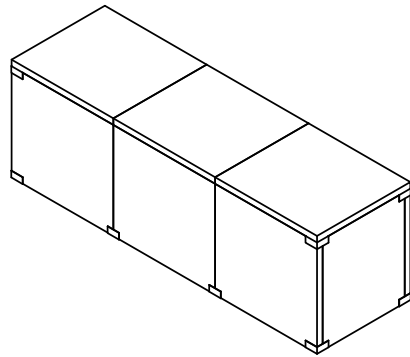
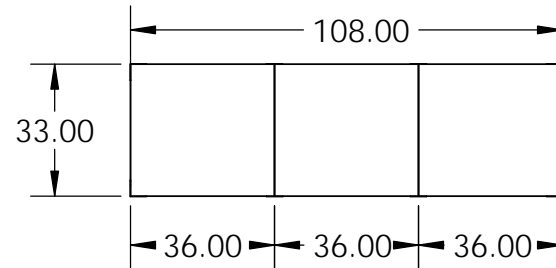


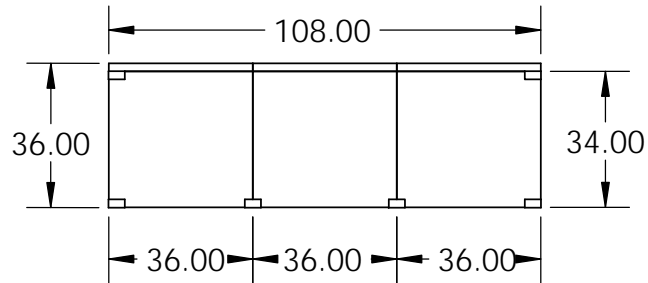
Isometric View



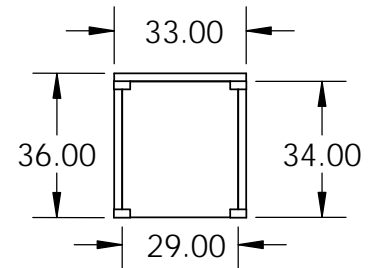
Top View



Side View



End View



<p>PROPRIETARY AND CONFIDENTIAL</p> <p>UNLESS OTHERWISE SPECIFIED: DIMENSIONS ARE IN INCHES TWO PLACE DECIMAL ±</p> <p>THE INFORMATION CONTAINED IN THIS DRAWING IS THE SOLE PROPERTY OF STONE AGE MANUFACTURING, INC. ANY REPRODUCTION, IN PART OR AS A WHOLE, WITHOUT THE WRITTEN PERMISSION OF STONE AGE MANUFACTURING, INC. IS PROHIBITED.</p>	 11107 E 126TH ST. N. Collinsville, OK 74021 918-371-8861			TITLE: 9' STR Island Kit With Top			
	MATERIAL		NAME	DATE	SIZE A	DWG. NO. SA-9STR-WT-3V	REV
	DO NOT SCALE DRAWING			DRAWN		SCALE: 1:48	WEIGHT:
						SHEET 1 OF 1	