



Cabinet Component System Backsplash with Bar Top SA-BSWT

Patented

Modular Masonry Technology at its Finest

Installation Instructions

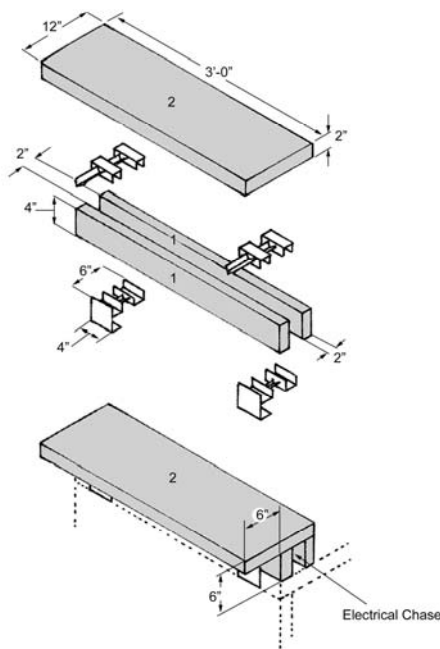
Please Read This Entire Document and Familiarize Yourself with All Steps and Kit Parts Before Beginning Construction of the Cabinet Component System Kit.

- **Materials required:** Landscape block adhesive or mortar.
- **Tools required:** Mallet or dead blow hammer, mason's or rock hammer, caulk gun, saw with masonry blade.
- **Finishing will require additional tools and materials based on the type of finish being applied.**
- Backsplash kits dimensions: 6"d x 3'w x 6"t, before finish application. Cap (with overhang) is 12"d. Finished width and height will vary based on thickness of finish material.
- Trimming will be required for angled countertop installations.
- Installer should determine the most efficient layout for trimming before beginning construction.
- Finishing Specs: 6 SF of surface.

Notes: The SA-BSWT is designed to attach to any Cabinet Component System island kit which uses the kit tops, as the backsplash uses the island kit top as its attachment point.

Pre-installation Preparation: Islands kit should be assembled, but BSWT Lower Brackets should be installed onto island kits tops at the same time the island is being assembled, to allow fitting of the BSWT brackets under the island kit tops.

- 1) Hook Lower Brackets BRBSL over countertop edge before countertop adhesive is applied or has begun to cure, placing brackets 3" - 6" from end of backsplash section.
- 2) Review island layout for any angles which will require trimming of backsplash Risers or Caps and mark the location of any electrical cutouts (if required). It is recommended electrical cutouts be made prior to installation.
- 3) Apply adhesive to bottom of Riser #1. Set Riser #1 on bracket and repeat step with second Riser.
- 4) Apply adhesive to the top of both Riser #1 parts and place Upper Brackets BRBST and Cap #2. Check installation for square and level before proceeding.
- 5) Repeat steps 1 through 3, applying adhesive at ends of each backsplash section where it meets another backsplash kit. When completed, exterior finish application may begin.

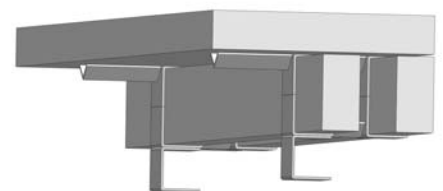
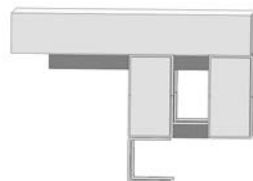
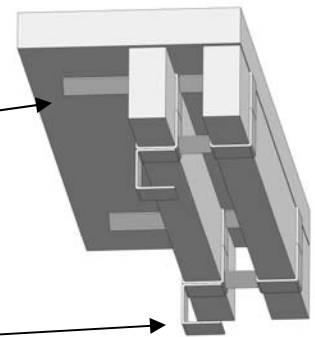


Brackets - Backsplash Kits

BRBST Bar Top Backsplash Upper



BRBSL Backsplash Lower



SA-BSWT-V0213