

SA18RL-WT/WOT

Installation Instructions

Please Read This Entire Document and Familiarize Yourself with All Steps and Kit Parts Before Beginning Construction of the Concrete Pad or the Cabinet Component System Kit.

- **Materials required:** Landscape block adhesive or mortar.
- **Tools required:** Mallet or dead blow hammer, mason's or rock hammer, caulk gun, saw with masonry blade.
- **Finishing will require additional tools and materials based on the type of finish being applied.**

Notes: Panels may be trimmed with a masonry saw to fit out-of-square installations, or installations requiring smaller dimensions than those of the kit. Flexibility is a key design feature, and you are not limited to the configuration shown in this instruction - layouts may be modified or altered to different shapes as desired, however, it is not recommended that the depth be altered, as this would require alterations of the welded upper brackets.

Pre-installation Preparation: Islands should be installed on a 4" steel-reinforced concrete pad or patio. Pier pad below frost line if required in your region. Construct the pad with an appropriate outside border, to serve as a support ledge for finish material, if required by the type of finish to be used.

Before beginning construction, draw the footprint of the kit on the pad or patio (chalk line recommended), to visualize the layout.

Refer to Figure 1 for the layout of the kit, and Figure 2 for the types of brackets used in this island kit. Refer to Figure 8, Dimensional Top View and Table on page 3, for kit dimensions.

Figure 1
Layout & Part Numbers

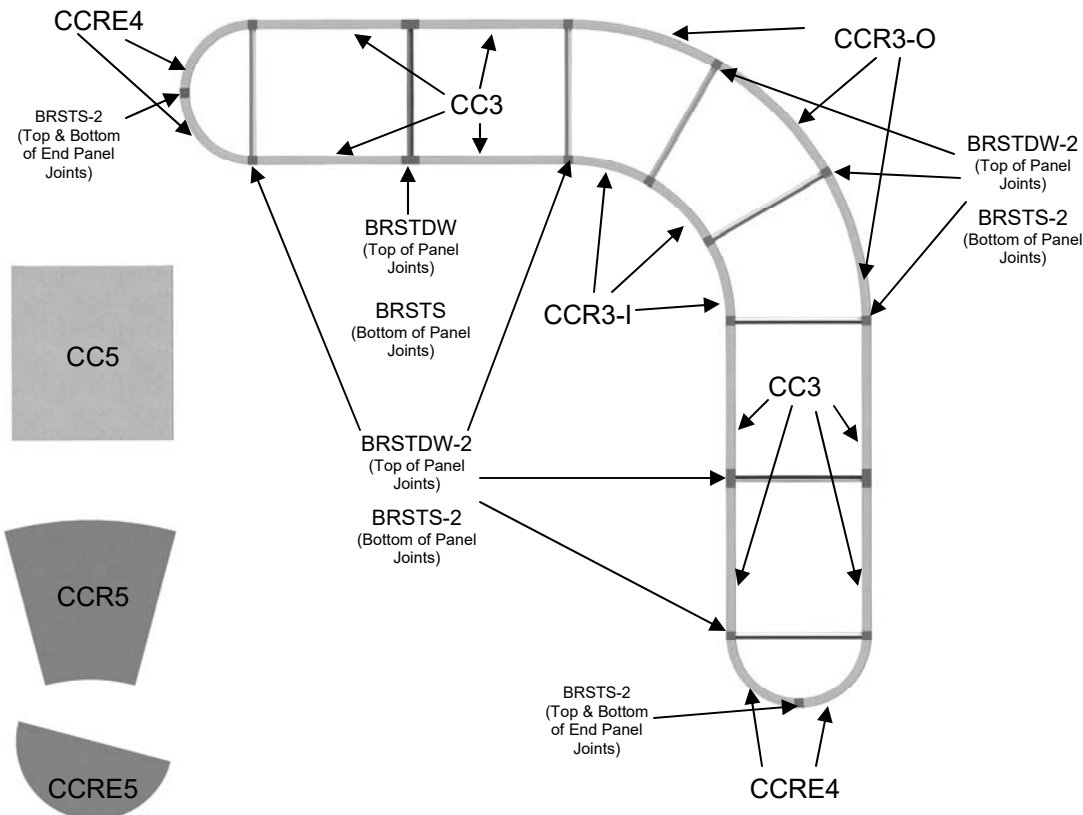
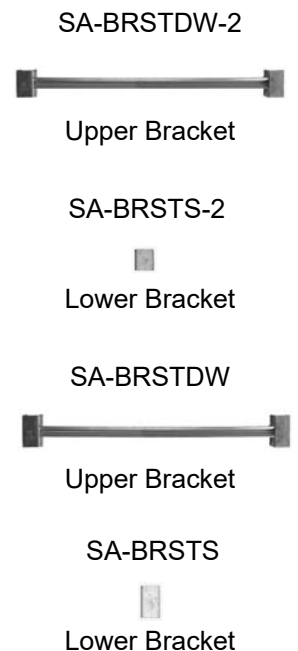


Figure 2
Brackets
Radiused Islands



1. Begin construction of the Island kit by placing the appropriate single brackets (BRSTS or BRSTS-2) on the pad at the chosen starting point, with the wall panel (CC3). Lower brackets are placed so that half is under the wall panel and half is exposed, to fit under the adjoining panel, and may be glued into place if desired. The welded brackets (BRSTDW or BRSTDW-2) are intended to be used on top of the wall panels, with the angle iron joining them providing extra support for the top panels. When joining two straight wall panels (CC3), use the larger BRSTS and BRSTDW brackets at the joints between them, and when joining radiused panels (CCR3-1, CCR3-O, CCRE4), use the smaller BRSTS-2 and BRSTDW-2 brackets at these joints, whether joining to other radiused panels or to straight panels. Refer to Figure 3.
2. Place a straight double weld bracket (BRSTDW) at the top joint of the #3 panels at each joint line, joining the inner and outer panels of each section. Refer to Figures 3, 4, and 5.
3. Place Radiused End panels (CCRE4) at each end of the assembled Island sections, with single brackets (BRSTS-2) at the bottom and top joint of the Radiused End panels (CCRE4) where they meet. Refer to Figure 5.
4. Determine grill placement, and move upper bracket (BRSTDW) to one side of desired opening, placing the included extra upper bracket on the other side of the desired opening, so that you have support on each side of the grill cutout. If assembling a kit without tops, this will be the final step before making appliance cutouts. Refer to Figure 6.
5. Once brackets are in place, place top panel (CC5, CCR5 & CCRE5) (if your kit includes tops) using adhesive. Kit assembly is now complete, and you are ready to make appliance cutouts. Refer to Figure 7.
6. Exterior may be finished with thin stone, full veneer stone, fabricated stone, brick, stucco, tile, granite, or any other material compatible with masonry or concrete.
7. Accessories or other items may set in place without positive attachment, or may be attached to the units using a masonry drill bit and masonry anchors or Tapcons. When using an anchor or Tapcon, it is recommended that a pilot hole be drilled before attaching the anchor. When anchoring into the edge of a panel, drill the pilot hole at the center of the panel, and use plastic anchors for best results.

Figure 3

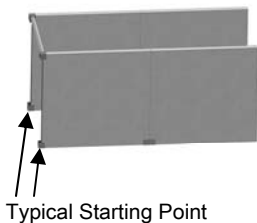


Figure 4

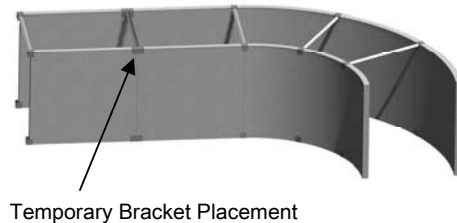


Figure 5



Figure 6

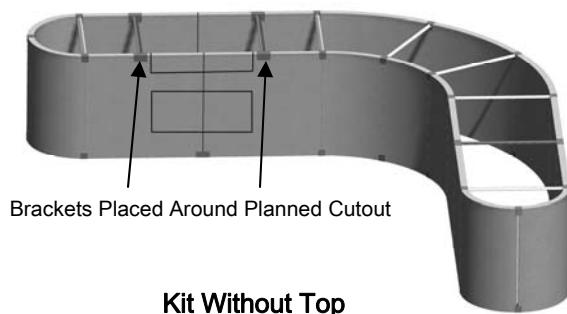


Figure 7

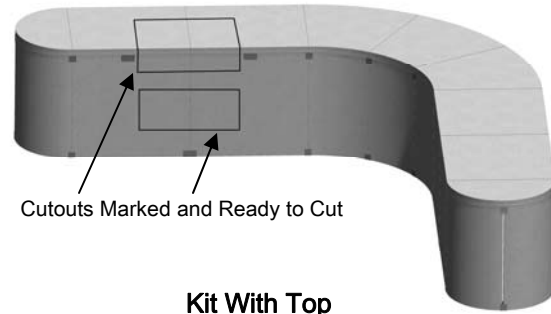
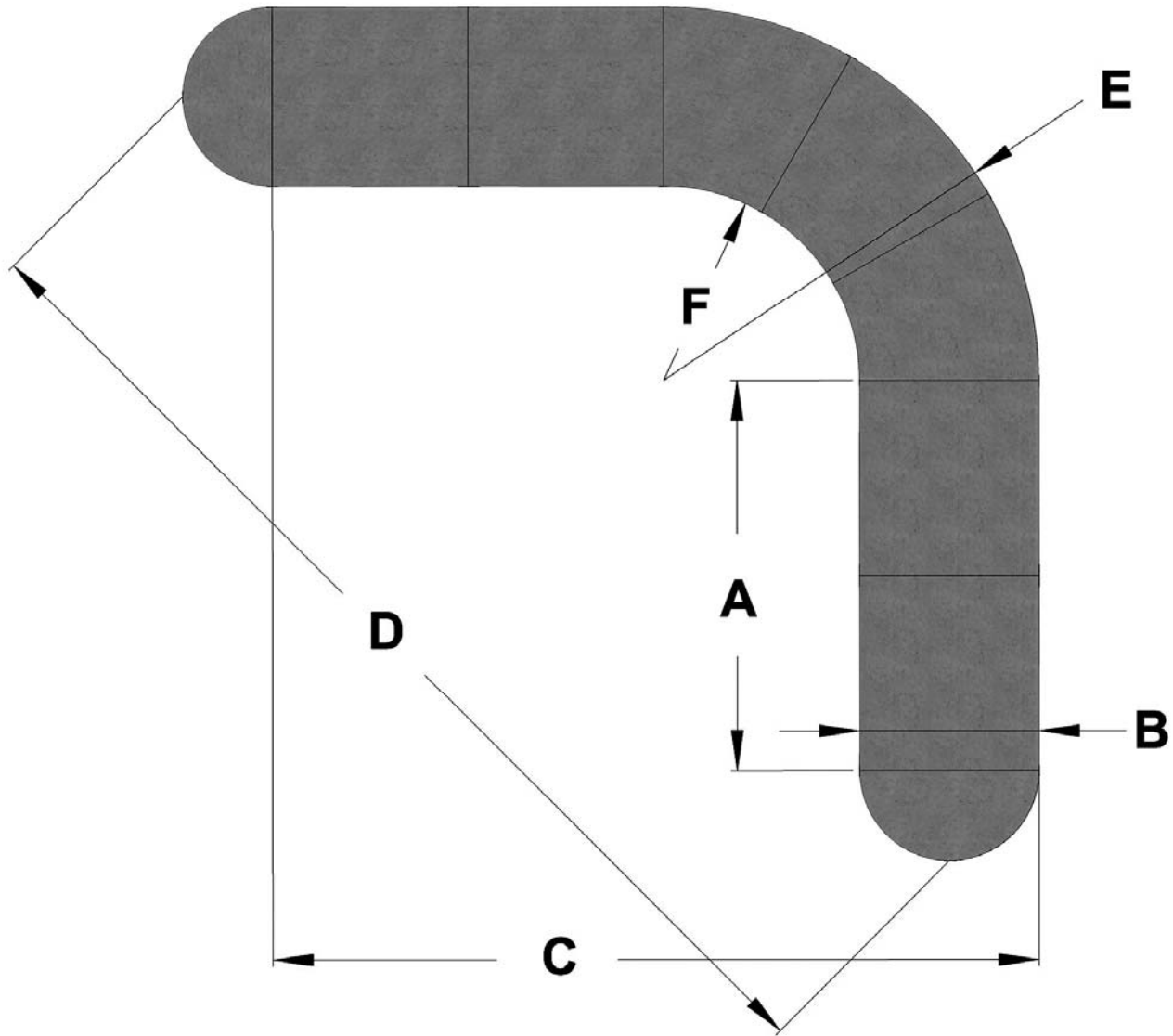


Figure 8
Dimensional Top View and Table



Model Number	Dimensions					
	A	B	C	D	E	F
SA18RL-WT/WOT	72"	33"	161"	199"	69"	36"
Kit Height	With Top - 36"			Without Top - 34"		

Finishing Specifications

Model SA18RL-WT/WOT: Side Area: 170 Square Feet, Top Area: 61 Square Feet.

SA18RL-V0416