

Steps for construction:

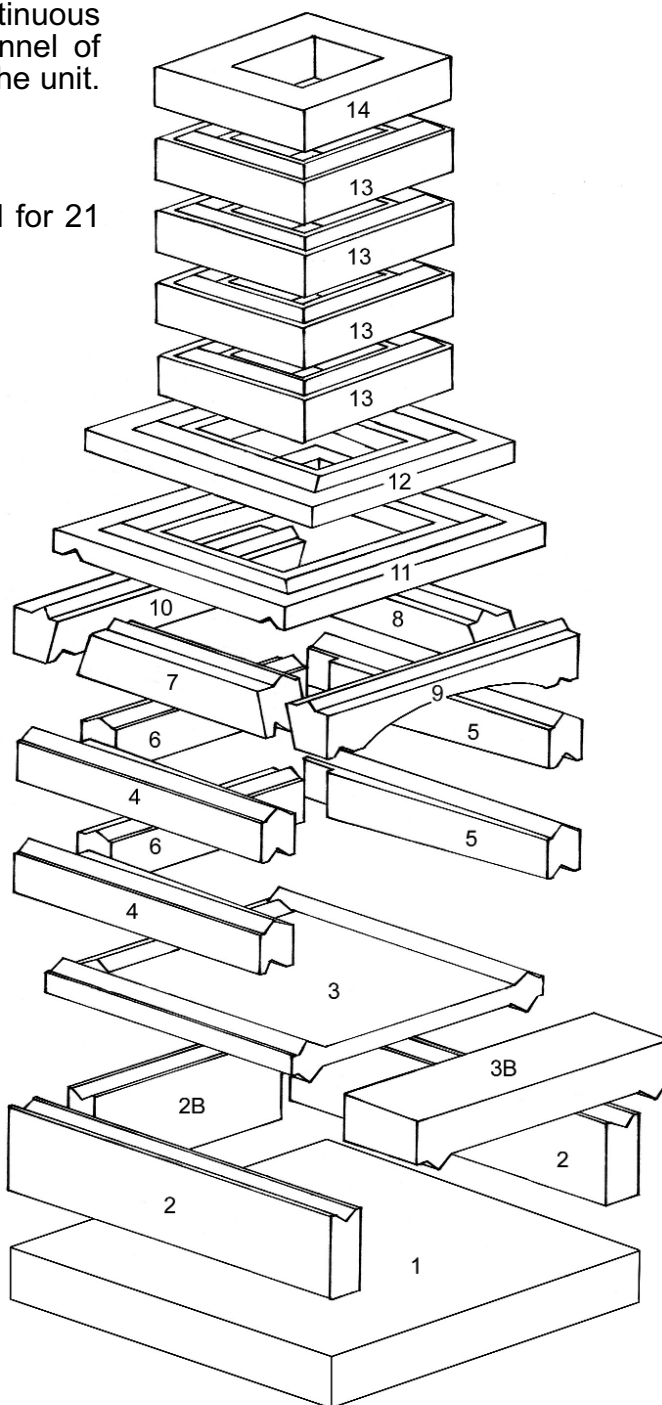
1) Set legs #2 & #2B on base #1. The legs #2 & #2B provided with the kit are 9" tall and place the Firebox approx. 16" off of the finished grade.

2) Once the base is level and square, set the baseplate #3, using concrete block adhesive or high-temperature mortar. Level it front to back and side to side. Then install pieces #3-#14 in order shown in the picture, using concrete block adhesive or high-temperature mortar. Place a continuous bead of high-temperature mortar on the inner channel of each piece in the firebox and chimney flue areas of the unit. Keep each piece level and plumb.

3) You are now ready to apply finish material.

4) If assembled with mortar, unit should not be fired for 21 days after completion, to allow full curing of mortar.

Parts	Size: 18"
#1 Base	24"w x 30"d
#2 Leg	34"w x 33"d
#2B Rear Leg	30"d x 9"t
#3 Baseplate	24"w x 24"d
#3B Hearth	24"w x 6"d x 4"t
#4 Left Side	24"w x 6"t
#5 Right Side	24"w x 6"t
#6 Backplate	18"w x 6"t
#7 Left Tapered Side	18"w x 6"t
#8 Right Tapered Side	18"w x 6"t
#9 Arched Lintel	24"w x 6"t
#10 Upper Backplate	24"w x 6"t
#11 Large Throat Adapter	20 3/4" x 20 3/4"
#12 SmallThroat Adapter	17 1/2" x 17 1/2"
#13 Chimney Flue	14"sq x 6"t
#14 Top Chimney Flue	14"sq x 6"t
Outside Dimensions	
Overall Depth at Base	30"d
Overall Depth at Firebox	24"d
Overall Width	24" w
Overall Height	71" t
Firebox Opening Height (@ top of arch)	15"t
Overall Weight	1000 lbs.



Abbreviations t=tall, d=depth - from front to back
sq=square, w=width - from side to side

Finishing Specifications: 48 SF of surface, including 24 LF of corners