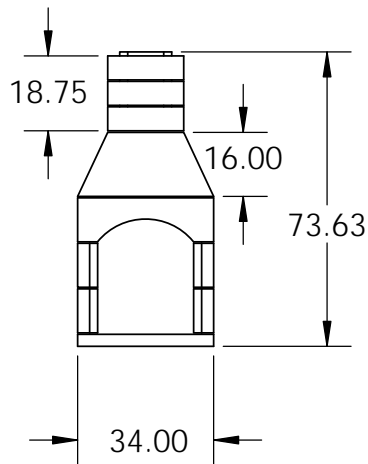
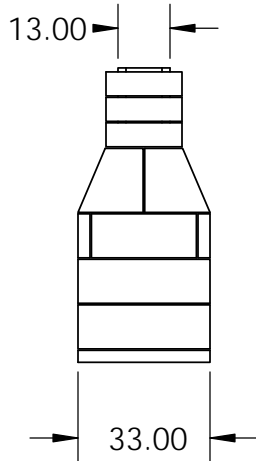


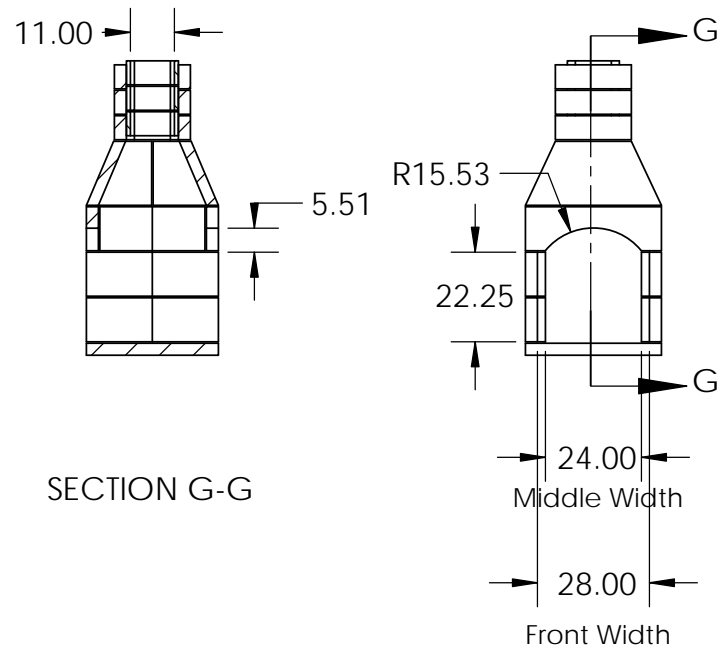
Rear View



Side View

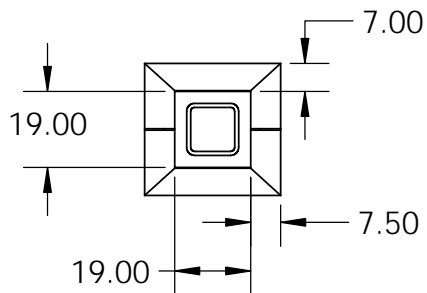


Front View



SECTION G-G

Top View



Firebox Widths, without Firebrick

|   |   |  |   |  |  |                |                             |
|---|---|--|---|--|--|----------------|-----------------------------|
| <p><b>PROPRIETARY AND CONFIDENTIAL</b></p> <p>THE INFORMATION CONTAINED IN THIS DRAWING IS THE SOLE PROPERTY OF STONE AGE MANUFACTURING, INC. ANY REPRODUCTION, IN PART OR AS A WHOLE, WITHOUT THE WRITTEN PERMISSION OF STONE AGE MANUFACTURING, INC. IS PROHIBITED.</p> | <p>UNLESS OTHERWISE SPECIFIED:</p> <p>DIMENSIONS ARE IN INCHES</p> <p>TWO PLACE DECIMAL ±</p> |  | <p>Modular Masonry Technology at its Finest</p> <p>11107 E 126TH ST. N.<br/>Collinsville, OK 74021<br/>918-371-8861</p> |  | <p>TITLE:</p> <p><b>24" See-Thru Contractor Series</b></p> |                |                             |
|   | <p>MATERIAL</p>   |  |   |  | <p>NAME</p>  | <p>DATE</p>    | <p>SIZE</p> <p><b>A</b></p> |
|   | <p>DO NOT SCALE DRAWING</p>   |  | <p>DRAWN</p>  |  | <p>SCALE: 1:48</p>   | <p>WEIGHT:</p> | <p>SHEET 1 OF 1</p>         |
|   |   |  |   |  |  |                |                             |

5

4

3

2

1