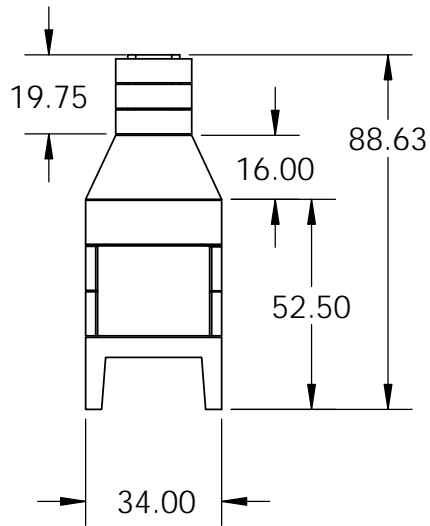
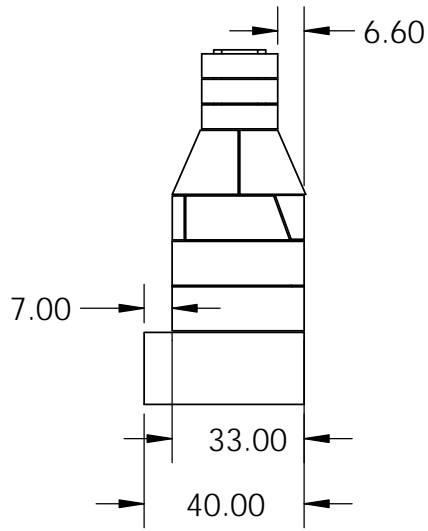


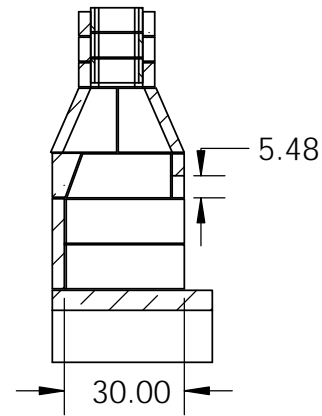
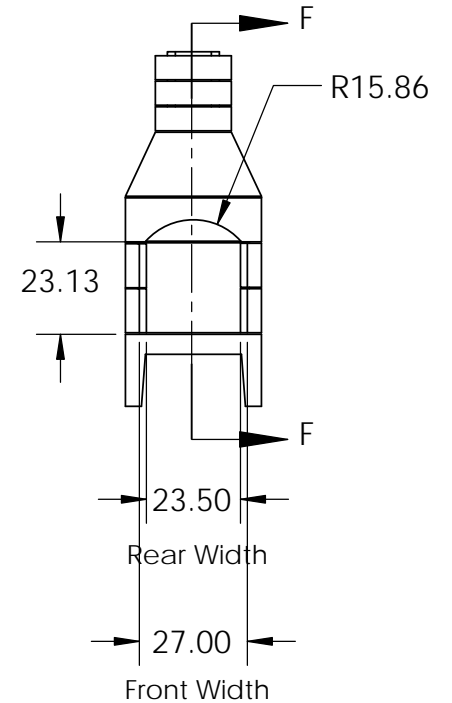
Rear View



Side View

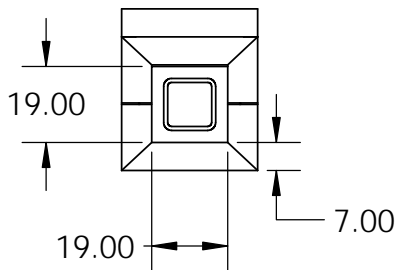


Front View



SECTION F-F

Top View



Firebox Widths, without Firebrick

<p>PROPRIETARY AND CONFIDENTIAL</p> <p>THE INFORMATION CONTAINED IN THIS DRAWING IS THE SOLE PROPERTY OF STONE AGE MANUFACTURING, INC. ANY REPRODUCTION, IN PART OR AS A WHOLE, WITHOUT THE WRITTEN PERMISSION OF STONE AGE MANUFACTURING, INC. IS PROHIBITED.</p>	UNLESS OTHERWISE SPECIFIED:		 <p>11107 E 126TH ST. N. Collinsville, OK 74021 918-371-8861</p>			TITLE:		
	DIMENSIONS ARE IN INCHES					24" Stoned Fire		
	TWO PLACE DECIMAL ±		MATERIAL		SIZE	DWG. NO.	REV	
	DO NOT SCALE DRAWING		DRAWN		A	SA-24SF-UA		
				SCALE: 1:48		WEIGHT:		SHEET 1 OF 1

5

4

3

2

1