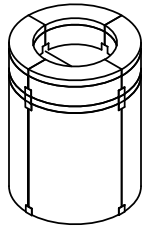
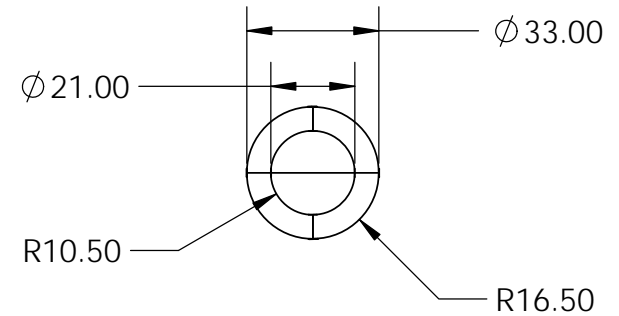


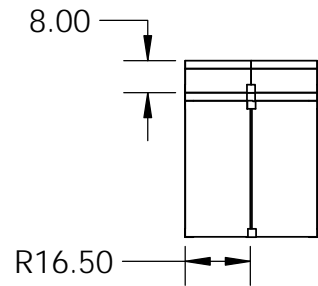
Isometric View



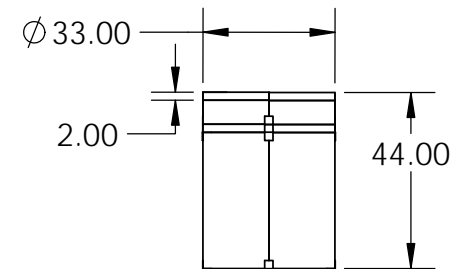
Top View



Side View



End View



<p>PROPRIETARY AND CONFIDENTIAL</p> <p>THE INFORMATION CONTAINED IN THIS DRAWING IS THE SOLE PROPERTY OF STONE AGE MANUFACTURING, INC. ANY REPRODUCTION, IN PART OR AS A WHOLE, WITHOUT THE WRITTEN PERMISSION OF STONE AGE MANUFACTURING, INC. IS PROHIBITED.</p>	<p>UNLESS OTHERWISE SPECIFIED:</p>		 <p>Stone Age Manufacturing® Modular Masonry Technology at its Finest</p> <p>11107 E 126TH ST. N. Collinsville, OK 74021 918-371-8861</p>			<p>TITLE:</p> <p>Radiused End Table Without Top</p>		
	<p>DIMENSIONS ARE IN INCHES</p> <p>TWO PLACE DECIMAL ±</p>					<p>SIZE</p> <p>A RDS-ETBS-WOT</p>		
	<p>MATERIAL</p>		<p>NAME</p>	<p>DATE</p>	<p>DWG. NO.</p>		<p>REV</p>	
	<p>DO NOT SCALE DRAWING</p>		<p>DRAWN</p>		<p>SCALE: 1:48</p>	<p>WEIGHT:</p>	<p>SHEET 1 OF 1</p>	