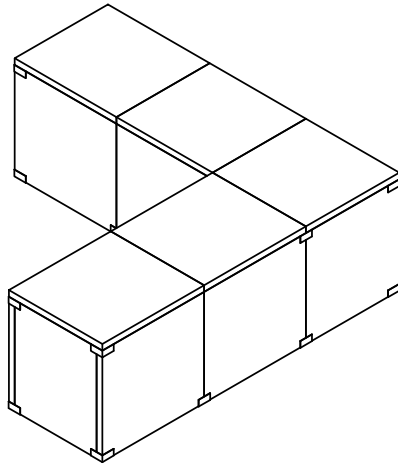
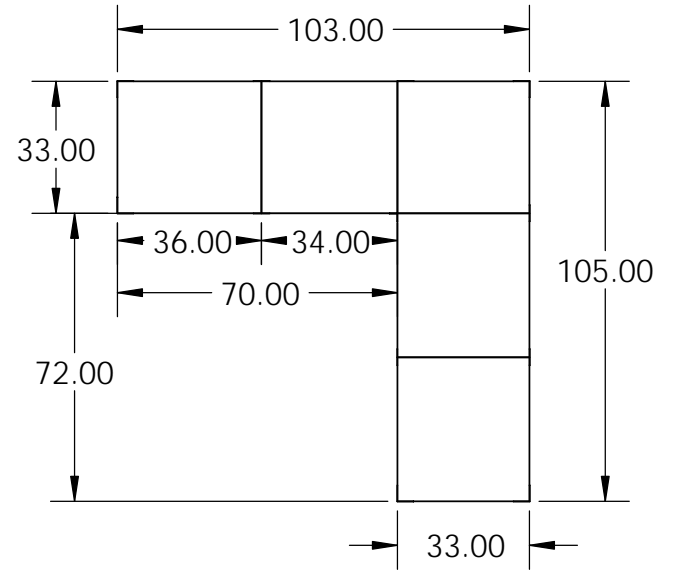


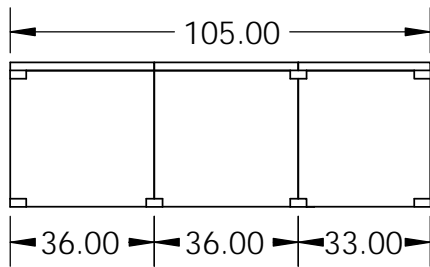
Isometric View



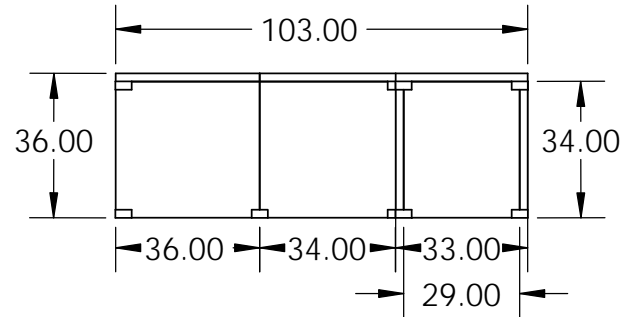
Top View



Side View



End View



|   |                             |  |  |             |      |  |                                 |     |
|---|-----------------------------|--|--|-------------|------|--|---------------------------------|-----|
| <p><b>PROPRIETARY AND CONFIDENTIAL</b></p> <p>THE INFORMATION CONTAINED IN THIS DRAWING IS THE SOLE PROPERTY OF STONE AGE MANUFACTURING, INC. ANY REPRODUCTION, IN PART OR AS A WHOLE, WITHOUT THE WRITTEN PERMISSION OF STONE AGE MANUFACTURING, INC. IS PROHIBITED.</p> | UNLESS OTHERWISE SPECIFIED: |  |  <p><b>Stone Age</b><br/>Manufacturing®</p> <p>Modular Masonry Technology at its Finest</p> <p>11107 E 126TH ST. N.<br/>Collinsville, OK 74021<br/>918-371-8861</p> |             |      | TITLE:<br><br><b>12' L Island Kit<br/>With Top</b> |                                 |     |
|   | DIMENSIONS ARE IN INCHES    |  |  |             |      |  |                                 |     |
|   | TWO PLACE DECIMAL ±         |  | MATERIAL   | NAME        | DATE | SIZE<br><b>A</b>                                   | DWG. NO.<br><b>SA-12L-WT-3V</b> | REV |
|   | DO NOT SCALE DRAWING        |  | DRAWN  | SCALE: 1:48 |      | WEIGHT:  | SHEET 1 OF 1                    |     |