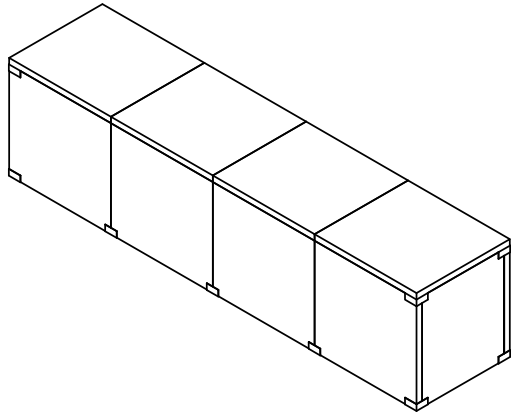
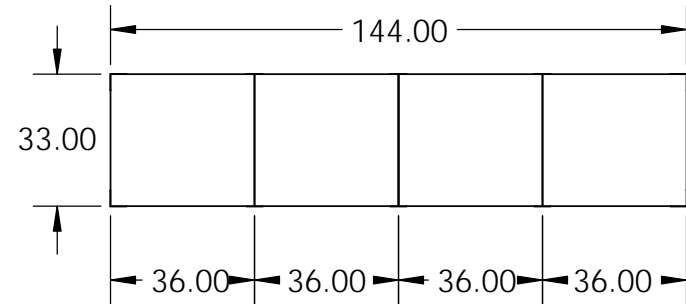


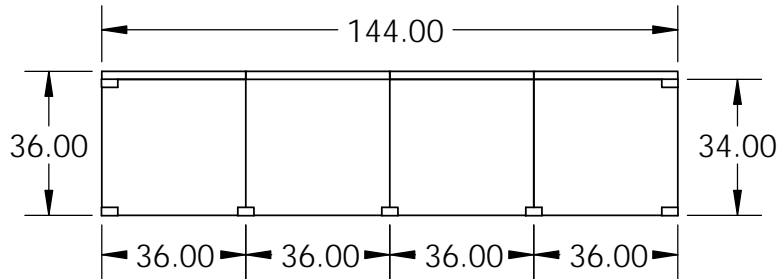
Isometric View



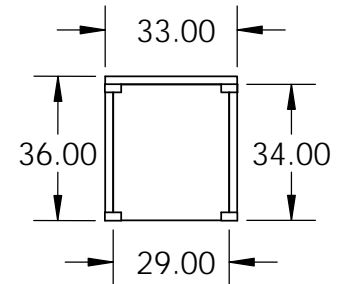
Top View



Side View



End View



<p><b>PROPRIETARY AND CONFIDENTIAL</b></p> <p>THE INFORMATION CONTAINED IN THIS DRAWING IS THE SOLE PROPERTY OF STONE AGE MANUFACTURING, INC. ANY REPRODUCTION, IN PART OR AS A WHOLE, WITHOUT THE WRITTEN PERMISSION OF STONE AGE MANUFACTURING, INC. IS PROHIBITED.</p>	UNLESS OTHERWISE SPECIFIED:		 <p><b>Stone Age</b> Manufacturing®</p> <p>Modular Masonry Technology at its Finest</p> <p>11107 E 126TH ST. N. Collinsville, OK 74021 918-371-8861</p>			<p>TITLE:</p> <p><b>12' STR Island Kit With Top</b></p>						
	DIMENSIONS ARE IN INCHES											
	TWO PLACE DECIMAL ±		<table border="1" style="width: 100%; border-collapse: collapse;"> <tr> <td style="width: 15%;">SIZE</td> <td style="width: 55%;">DWG. NO.</td> <td style="width: 30%;">REV</td> </tr> <tr> <td style="font-size: 2em; font-weight: bold;">A</td> <td style="font-size: 1.5em; font-weight: bold;">SA-12STR-WT-3V</td> <td></td> </tr> </table>			SIZE	DWG. NO.	REV	A	SA-12STR-WT-3V		
	SIZE	DWG. NO.				REV						
A	SA-12STR-WT-3V											
MATERIAL		<table border="1" style="width: 100%; border-collapse: collapse;"> <tr> <td style="width: 30%;">NAME</td> <td style="width: 30%;">DATE</td> <td colspan="2"></td> </tr> <tr> <td> </td> <td> </td> <td colspan="2"> </td> </tr> </table>			NAME	DATE						
NAME	DATE											
DO NOT SCALE DRAWING		DRAWN			SCALE: 1:48		WEIGHT:		SHEET 1 OF 1			