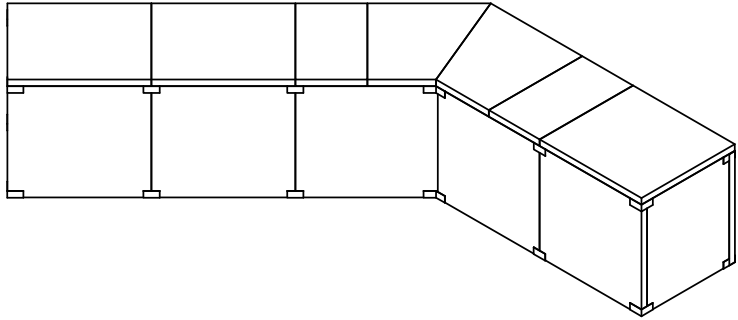
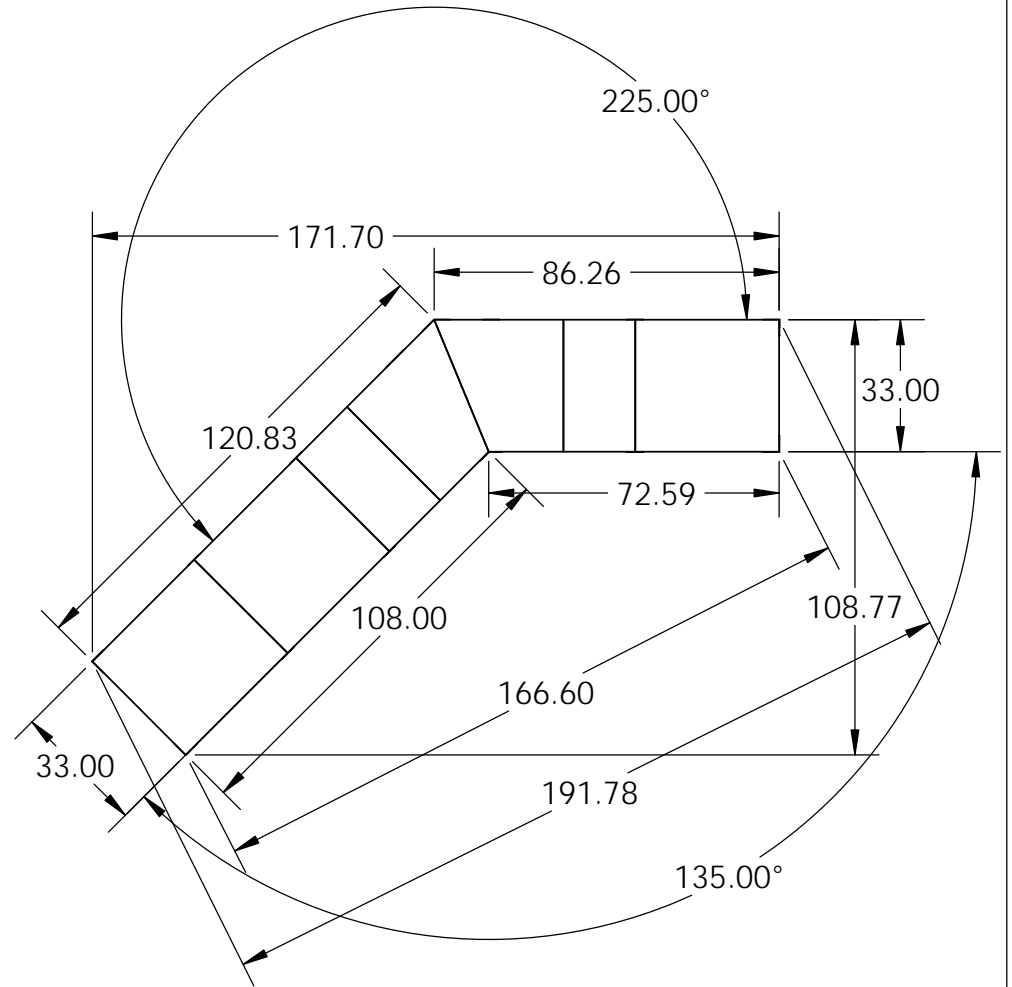


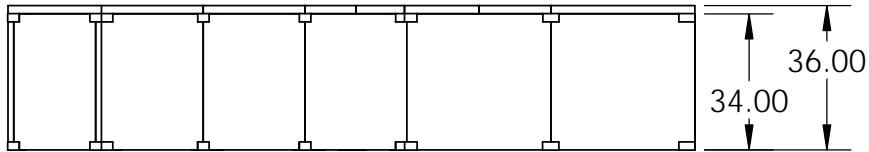
Isometric View



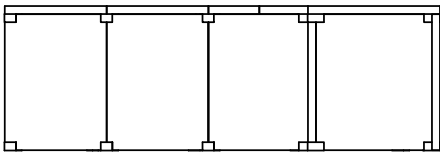
Top View



Side View



End View



<p>PROPRIETARY AND CONFIDENTIAL</p> <p>THE INFORMATION CONTAINED IN THIS DRAWING IS THE SOLE PROPERTY OF STONE AGE MANUFACTURING, INC. ANY REPRODUCTION, IN PART OR AS A WHOLE, WITHOUT THE WRITTEN PERMISSION OF STONE AGE MANUFACTURING, INC. IS PROHIBITED.</p>	UNLESS OTHERWISE SPECIFIED:		 <p>Stone Age Manufacturing® Modular Masonry Technology at its Finest</p> <p>11107 E 126TH ST. N. Collinsville, OK 74021 918-371-8861</p>			TITLE:		
	DIMENSIONS ARE IN INCHES					15' F Island Kit With Top		
	TWO PLACE DECIMAL ±		MATERIAL	NAME	DATE	SIZE A	DWG. NO. SA-15F-WT-3V	REV
	DO NOT SCALE DRAWING		DRAWN	SCALE: 1:48		WEIGHT:	SHEET 1 OF 1	

5

4

3

2

1