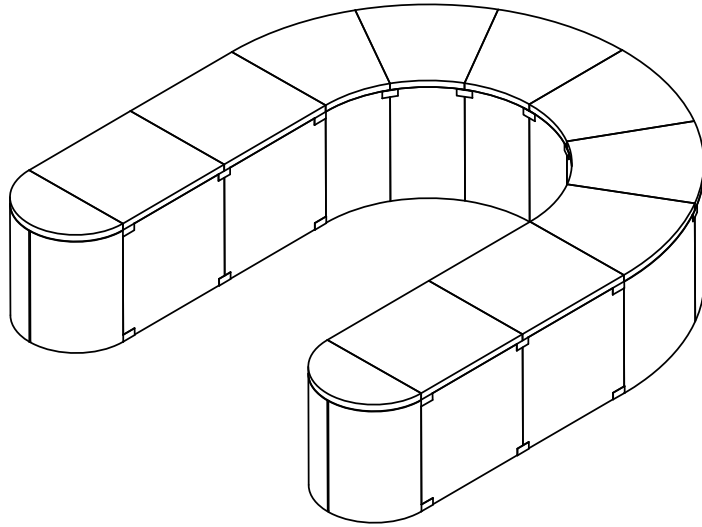
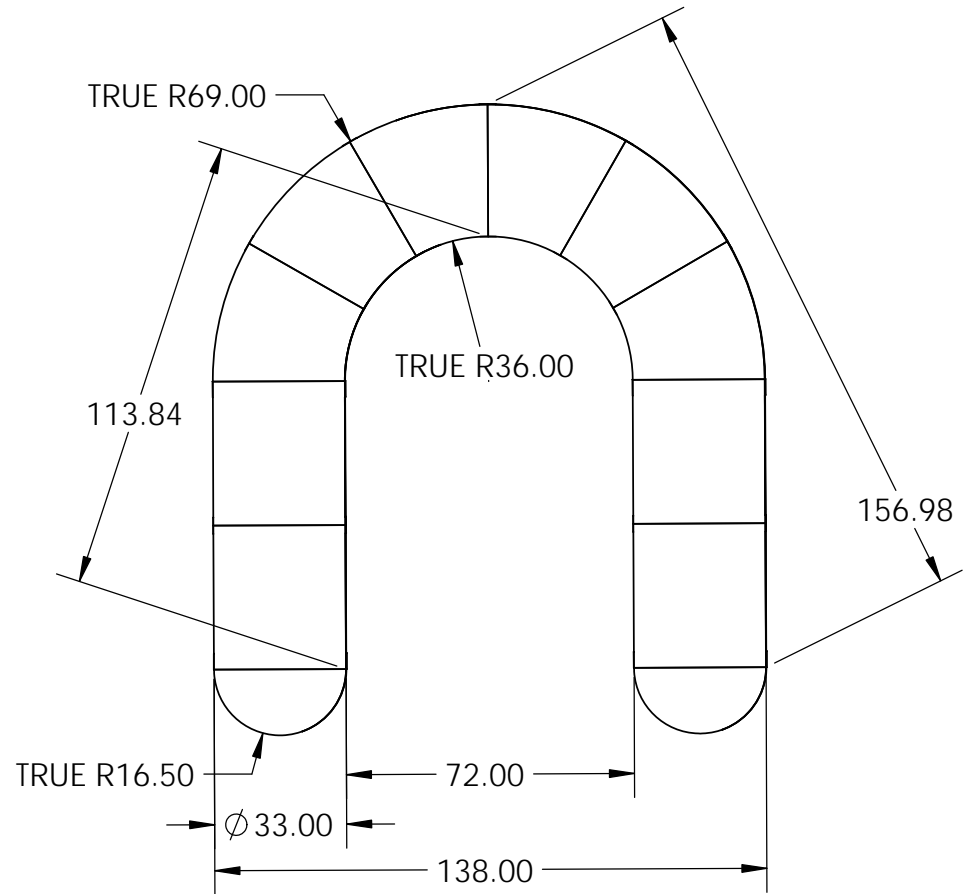


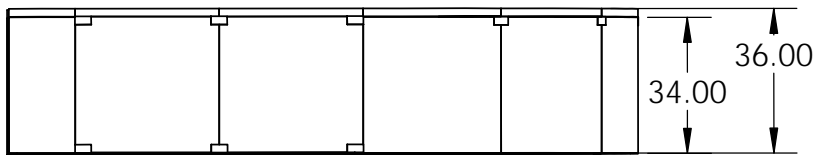
Isometric View



Top View



Side View



PROPRIETARY AND CONFIDENTIAL

THE INFORMATION CONTAINED IN THIS DRAWING IS THE SOLE PROPERTY OF STONE AGE MANUFACTURING, INC. ANY REPRODUCTION, IN PART OR AS A WHOLE, WITHOUT THE WRITTEN PERMISSION OF STONE AGE MANUFACTURING, INC. IS PROHIBITED.

UNLESS OTHERWISE SPECIFIED:

DIMENSIONS ARE IN INCHES

TWO PLACE DECIMAL \pm

MATERIAL

DO NOT SCALE DRAWING



11107 E 126TH ST. N.
Collinsville, OK 74021
918-371-8861

NAME	DATE

DRAWN

TITLE:

24" Radiused U Island Kit
With Radiused End Caps

SIZE	DWG. NO.	REV
A	SA-24RU-WT	

SCALE: 1:48 | WEIGHT: | SHEET 1 OF 1