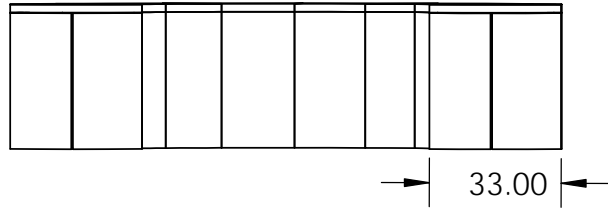
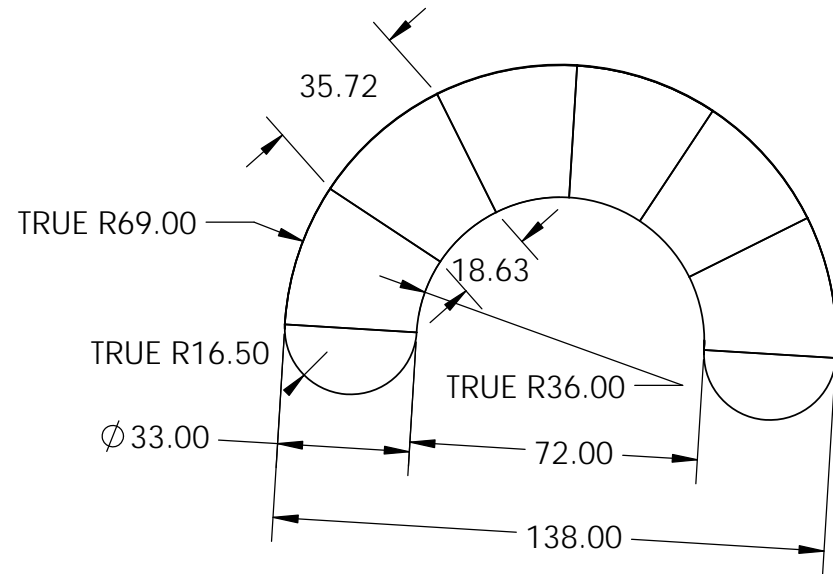


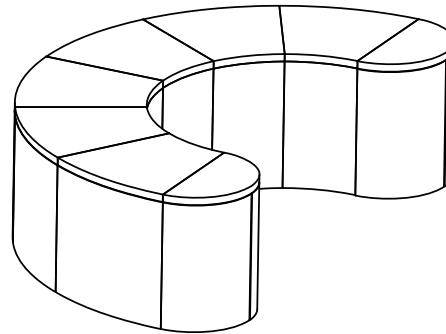
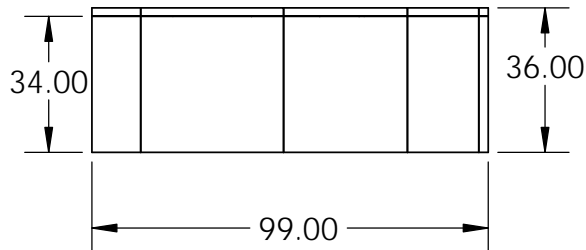
Front View




Top View



Side View



<p><b>PROPRIETARY AND CONFIDENTIAL</b></p> <p>THE INFORMATION CONTAINED IN THIS DRAWING IS THE SOLE PROPERTY OF STONE AGE MANUFACTURING, INC. ANY REPRODUCTION, IN PART OR AS A WHOLE, WITHOUT THE WRITTEN PERMISSION OF STONE AGE MANUFACTURING, INC. IS PROHIBITED.</p>	UNLESS OTHERWISE SPECIFIED:		 <p><b>Stone Age</b> Manufacturing® Modular Masonry Technology at its Finest</p> <p>11107 E 126TH ST. N. Collinsville, OK 74021 918-371-8861</p>			TITLE:			
	DIMENSIONS ARE IN INCHES					12' Radiused C Island Kit			
	TWO PLACE DECIMAL ±		MATERIAL		NAME	DATE	SIZE	DWG. NO.	REV
	DO NOT SCALE DRAWING		DRAWN				<b>A</b>	<b>SA12RC-WT</b>	
						SCALE: 1:48		WEIGHT:	SHEET 1 OF 1