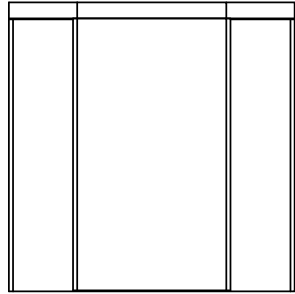
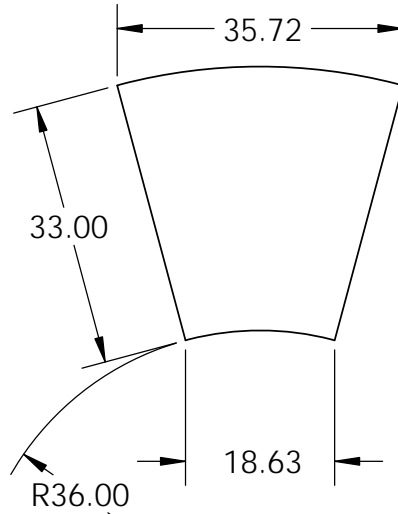


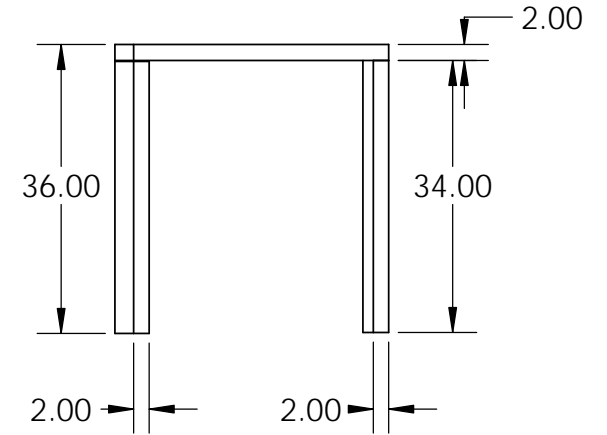
Front View



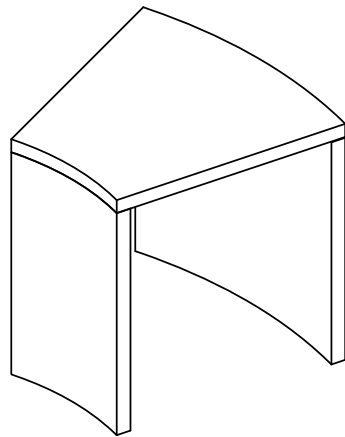
Top View



Side View



Isometric View



<p><b>PROPRIETARY AND CONFIDENTIAL</b></p> <p>THE INFORMATION CONTAINED IN THIS DRAWING IS THE SOLE PROPERTY OF STONE AGE MANUFACTURING, INC. ANY REPRODUCTION, IN PART OR AS A WHOLE, WITHOUT THE WRITTEN PERMISSION OF STONE AGE MANUFACTURING, INC. IS PROHIBITED.</p>	<p>UNLESS OTHERWISE SPECIFIED:</p>		 <p><b>Stone Age</b> Manufacturing®</p> <p>Modular Masonry Technology at its Finest</p> <p>11107 E 126TH ST. N. Collinsville, OK 74021 918-371-8861</p>			<p>TITLE:</p> <p><b>RADIUSED ISLAND SECTION</b></p>		
	<p>DIMENSIONS ARE IN INCHES</p> <p>TWO PLACE DECIMAL ±</p>					<p>SIZE DWG. NO. REV</p> <p><b>A SA30RDS-WT</b></p>		
	<p>MATERIAL</p>		<p>NAME</p>	<p>DATE</p>	<p>SCALE: 1:24</p>		<p>WEIGHT:</p>	<p>SHEET 1 OF 1</p>
	<p>DO NOT SCALE DRAWING</p>		<p>DRAWN</p>					