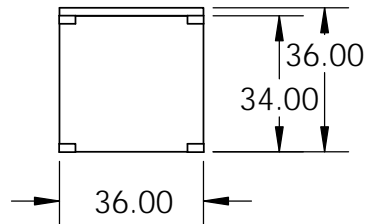
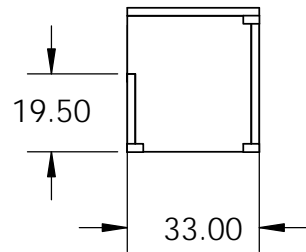


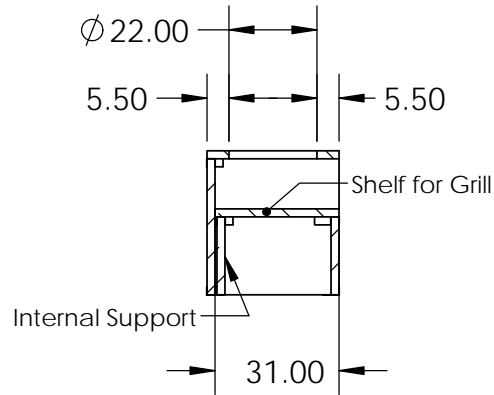
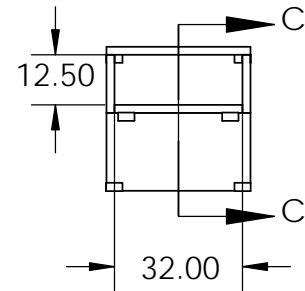
Rear View



Side View

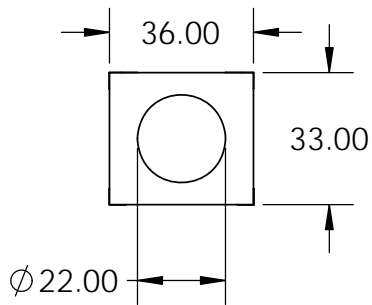


Front View

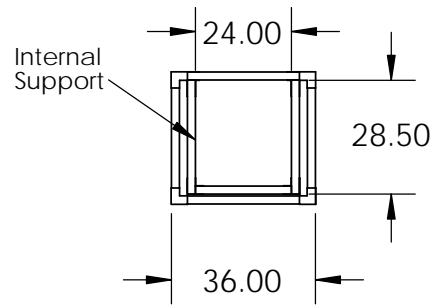


SECTION C-C

Top View



Bottom View



<p>PROPRIETARY AND CONFIDENTIAL</p> <p>THE INFORMATION CONTAINED IN THIS DRAWING IS THE SOLE PROPERTY OF STONE AGE MANUFACTURING, INC. ANY REPRODUCTION, IN PART OR AS A WHOLE, WITHOUT THE WRITTEN PERMISSION OF STONE AGE MANUFACTURING, INC. IS PROHIBITED.</p>	UNLESS OTHERWISE SPECIFIED:		 <p>11107 E 126TH ST. N. Collinsville, OK 74021 918-371-8861</p>			TITLE:		
	DIMENSIONS ARE IN INCHES					CERAMIC COOKER KIT		
	TWO PLACE DECIMAL ±		MATERIAL			SIZE	DWG. NO.	REV
	DO NOT SCALE DRAWING		DRAWN			A	SA-CERC-3V	
			SCALE: 1:48		WEIGHT:		SHEET 1 OF 1	